

PBI
84

OFFICE

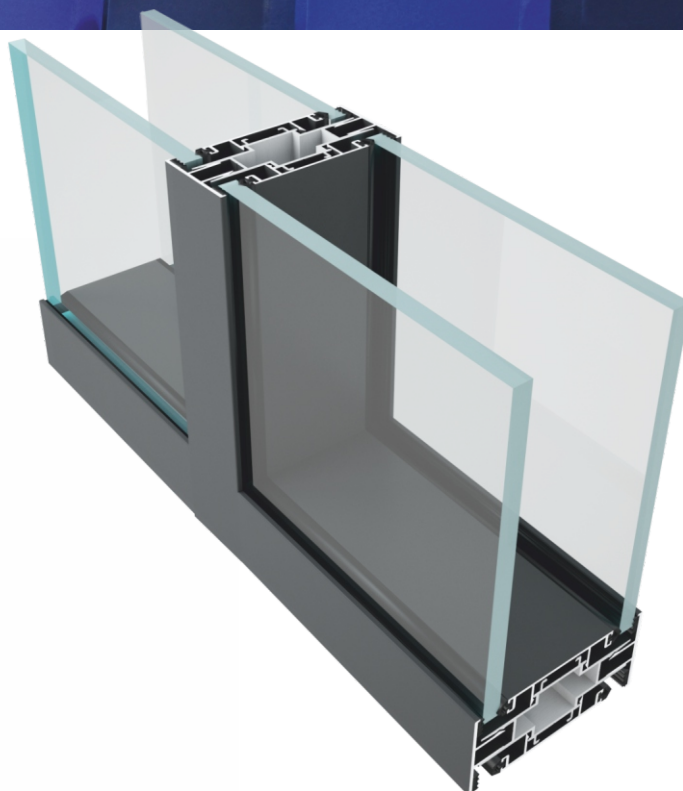
HIGH ACOUSTIC INSULATION PROPERTIES

PBI 84 OFFICE - SYSTEM FEATURES

System of aluminium profiles PBI 84 Office is dedicated to creating of internal walls and open space partition walls.

This system is fully integrated with PBI 50N doors, panel doors and all-glass doors. The main type of profile is available in standard and economic option.

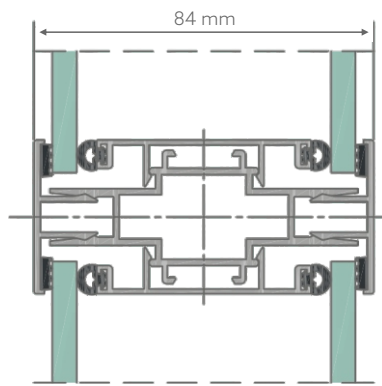
Photo: CKA, Kozenice
Design: Pracownia Projektowa F-11
Aluminium manufacturer: Stolrad Sp. z o.o., Radom



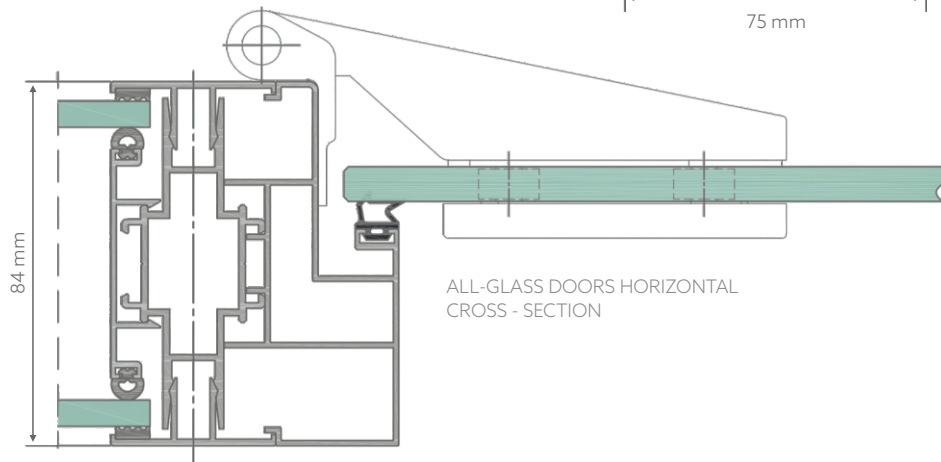
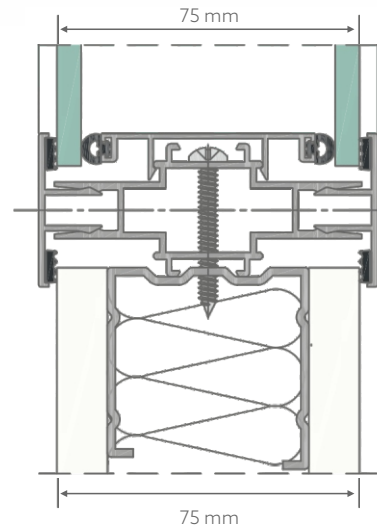
ADVANTAGES OF THE SYSTEM

- possibility of installing many thicknesses of infills (glass panes from 6 to 12 mm, non-transparent infills from 12 to 18 mm), maintaining the 38 mm width of construction visible from the outside,
- simple and efficient construction method of "T" type connection,
- wide variety of external clips,
- possibility of servicing (cleaning glass panes from the inside) due to application of appropriate clips,
- possibility of laying the electrical installation,
- possibility of shaping the construction freely due to angle connections,
- possibility of installing blinds, both manually operated and with electric drive,
- max. construction height 3700mm,
- possibility of manufacturing the system on site,
- possibility of combination with other Yawal systems.

CROSS - SECTION OF MULLION AND CROSSPIECE



ASSEMBLY OF A WALL TO A STANDARD PLASTERBOARD



ALL-GLASS DOORS HORIZONTAL CROSS - SECTION

TECHNICAL PARAMETERS - PBI 84 OFFICE

Impact strength	class 4b acc. to ETAG nr 003
Acoustic insulation	39 dB÷48 dB acc. to PN-EN 140-3
Flame spread classification	acc. to PN-90/B-02867 (NRO)
Visible width	38 mm
Profile depth	84 mm
Glazing thickness	6÷13 mm
Board thickness	12÷18 mm
Technical approval	AT-15-9493-2015