

PI 50N - WINDOW AND DOOR SYSTEM WITH THERMAL INSULATION



PI
50N

ECONOMY

PI 50 N - SYSTEM FEATURES

PI 50N is a well-developed system of aluminium profiles to create various types of modern, thermally insulated windows, doors, display windows, partition walls and vestibules.

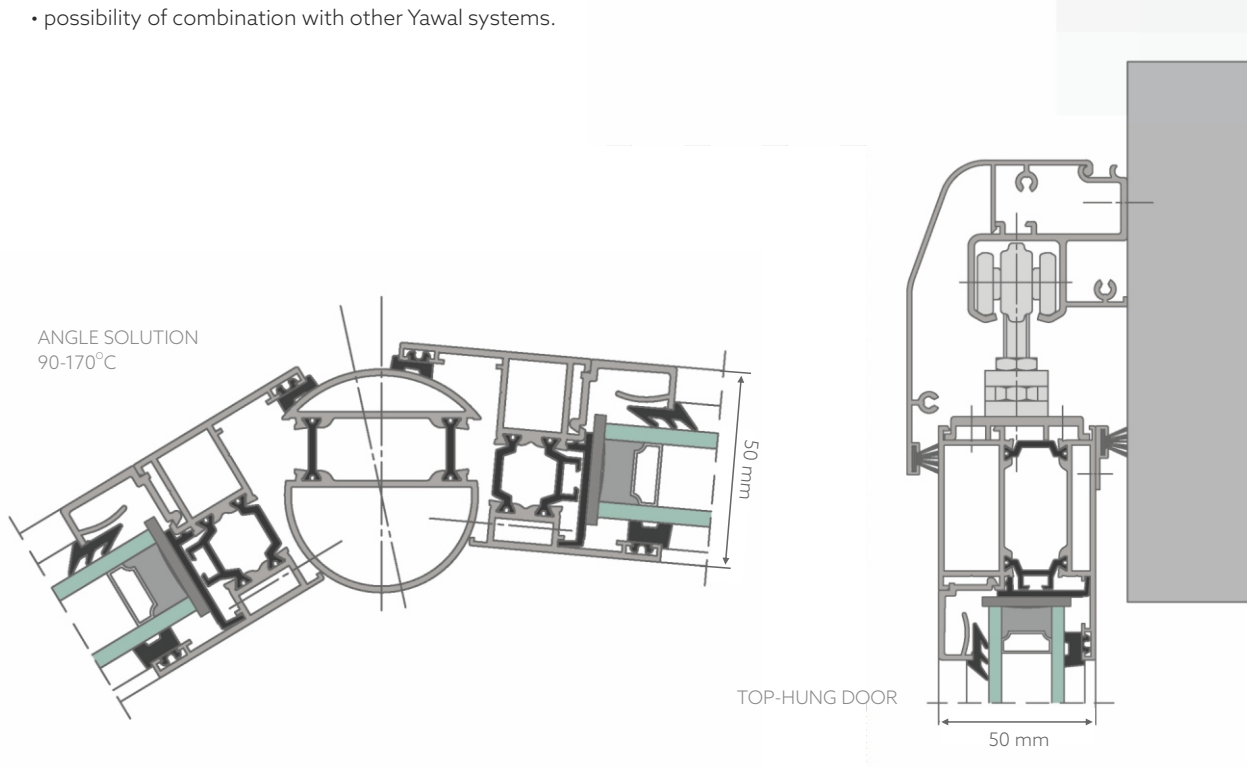
Available diversity of profiles allows for constructing surface-hinged doors as well as doors mounted on hinges installed in profile grooves.

Photo: Oskar Kolberg Complex of Music Schools, Radom
Design: Archi-Rad 2000 Piotr Wypchło, Radom
Aluminium manufacturer: Stolrad Sp. z o.o., Radom



ADVANTAGES OF THE SYSTEM

- possibility of constructing various types of solutions using minimal quantity of profiles, improving production process and aesthetics due to fast-fixed groove fittings system,
- universal solutions resulting from diversity of fittings and two possible assembly methods,
- possibility of creating large-dimension structures due to application of reinforced profiles,
- possibility of door assembly in a row of display windows due to additional profiles,
- possibility of creating angled structures,
- possibility of combination with other Yawal systems.



TECHNICAL PARAMETERS - PI 50N

	PI 50N windows	PI 50N doors
Air permeability	class 4 acc. to PN-EN 12207	class 3 acc. to PN-EN 12207
Water tightness	class E750 acc. to PN-EN 12208	class A5 acc. to PN-EN 12208
Heat transfer coefficient	$U_f=2,2\div 2,7$ W/m ² K acc. to PN-EN ISO 10077-2	$U_f=2,3\div 2,7$ W/m ² K acc. to PN-EN ISO 10077-2
Acoustic insulation	$R_w=30\div 40$ dB acc. to PN-EN ISO 140-3	$R_w=30\div 40$ dB acc. to PN-EN ISO 140-3

SYSTEM CHARACTERISTICS

		STANDARD	TURNING SASH
Window structural depth	Frame profile	50 mm	50 mm
	Sash profile	59 mm	59 mm
Glazing thickness	Frame profile	4÷34 mm	6÷43 mm
	Sash profile	6÷44 mm	6÷43 mm